

TR STOCK A HUGE RANGE OF MICRO FASTENERS & COMPONENTS

Some of our DIN, ISO & JCIS parts include:

Washers from M1 | Nuts from M1

Machine screws from M1 | Slotted grub screws from M1

Socket screws from M1.4 | Thread-forming fasteners for metal

Security screws from M1.6 | Plas-Tech® 30 screws from 1.8mm

Tuning screws from M1.6

Insert bits available:

Hex | Torx® | Pozi-Driv® | Phillips®



The Clear Alternative

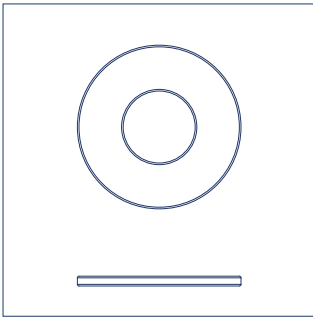
T: 00 44 1825 747306 | F: 00 44 870 458 7912

E: sales@trfastenings.com | www.trfastenings.com



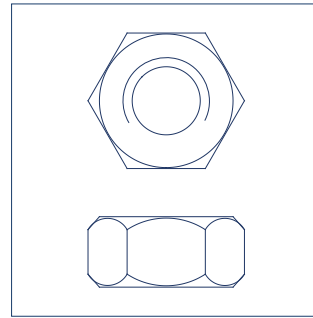
Micro Diameter Fasteners

Product Information



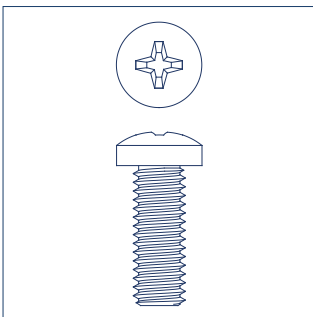
Washers

Form A, External tooth, Internal tooth, External fan disc, Internal fan disc, Spring, Curved.



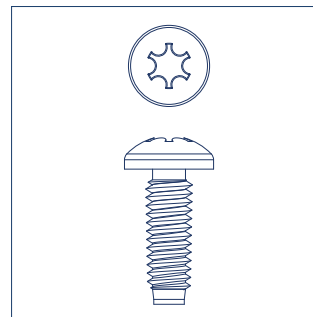
Nuts

Hex full nut, Hex lock nut, Hex nylon insert.



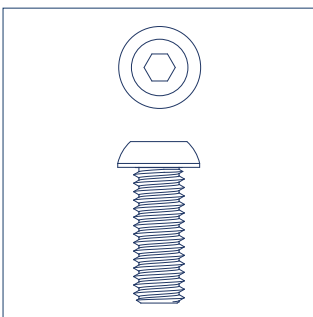
Machine Screws

PoziDriv® pan/countersunk, Recess H pan/countersunk, Torx® pan/countersunk, Slotted cheese/pan/countersunk.



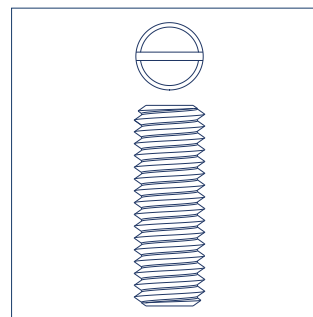
Thread Forming Screws

PoziDriv® pan/countersunk, Torx® pan.



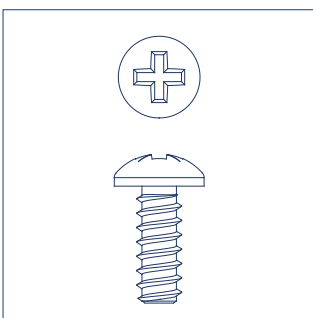
Socket Products

Capscrew, Countersunk, Low cap, Button, Flat point setscrew, Cone point setscrew, Plain cup setscrew, Hex wrenches.



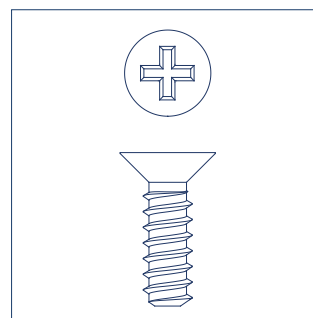
Slotted Grubscrews

Flat point, Cone point.



JCIS Thread Forming Screws Type B

Small pan type 1, Large pan type 3, Small countersunk type 1, Large countersunk type 3.



JCIS Thread Forming Screws Type P

Small pan type 1, Large pan type 3, Small countersunk type 1, Large countersunk type 3.

The Clear Alternative

T: 00 44 1825 747306 | F: 00 44 870 458 7912

E: sales@trfastenings.com | www.trfastenings.com

