

“Intermediate & long spigot lengths now available ex-stock”

About the K-Series Nut

K-Series offer a permanent female thread in sheet steel and in some plastic applications that are too thin to be tapped by conventional methods.

Designed specifically for use in applications with a minimum sheet thickness of 1mm, K-Series when installed offer a metric female thread for attaching equivalent metric externally threaded fasteners.

K-Series can be easily installed into the parent material without the need for specialist tooling. When inserted the underhead shank serrations of the K-Series provide a permanent thread with a high prevailing torque and a resistance to turning.

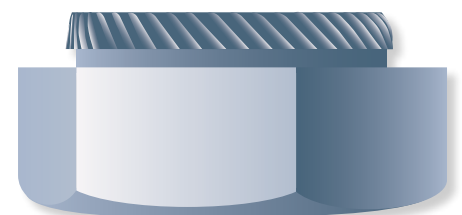
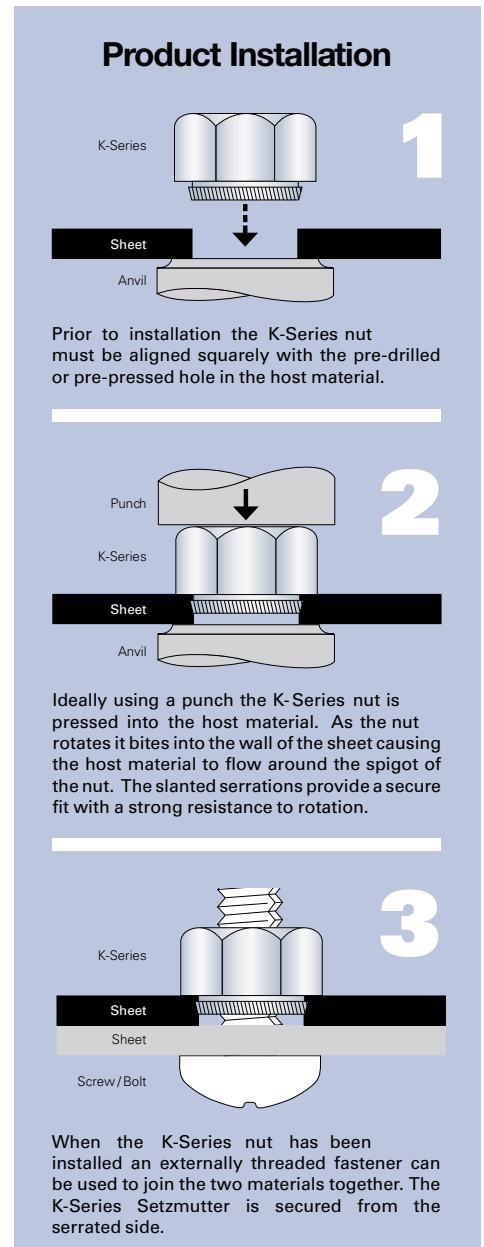
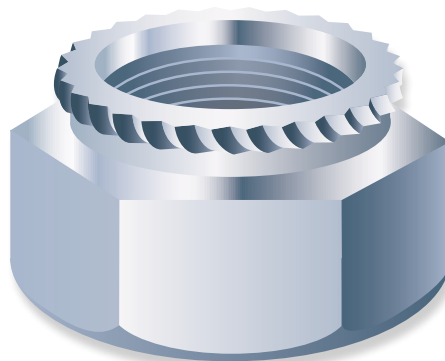
Available ex-stock, we offer K-Series in all of the standard spigot lengths. We now also offer intermediate and long spigot lengths ex-stock for use in thicker sheet steel or plastic applications. All stocked sizes are available in Zinc Plated (CR3), Carbon Steel. Stainless steel finishes can be supplied to order.

Product Features

- A small range of sizes to suit most applications
- M2.5 - M20 sizes ex-stock
- No special tooling required
- One head style - Hexagon
- Three spigot lengths available ex-stock: Standard, Intermediate & Long
- High torsional resistance
- High pullout resistance
- Zinc Plated (CR3) as standard
- Stainless Steel supplied to order
- Stock ready for immediate despatch

New Harder Grade

- Material: C1022 Carbon Steel
- Case hardened to a minimum of Hv0.3 610
- Tested to ISO 898

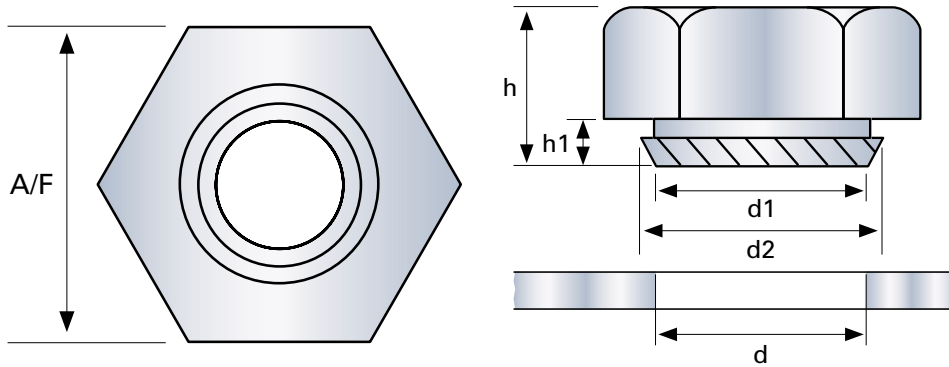


Contact TR European Distribution:

Tel: 00 44 1825 747306 • Fax: 00 44 870 458 7912 • E: sales@trdistributors.eu
www.trfastenings.com

K - SERIES NUT

Zinc & Clear (CR3)



Size	Material Thickness	Across Flats A/F in mm	Hole Diameter d Ø in mm	d1 Ø in mm	d2 Ø in mm	Spigot Length		TR Part Number	
						h in mm	h 1 in mm		
M2.5	1	5.5	4.5	4.5	4.7	3	0.9	M2.5 - -1ST TC1	Standard Spigot Ex-Stock
M3	1	5.5	4.5	4.5	4.7	3	0.9	M3 - -1ST TC1	
M4	1	7	5.5	5.5	5.7	3.2	0.9	M4 - -1ST TC1	
M5	1	8	6.5	6.5	6.75	4	0.9	M5 - -1ST TC1	
M6	1	10	8	8	8.3	5	0.9	M6 - -1ST TC1	
M8	2	13	10	10	10.3	6.5	1.8	M8 - -2ST TC1	
M10	2	15	12.5	12.5	12.85	8	1.8	M10 - -2ST TC1	
M12	3	17	14.5	14.5	14.85	10	2.8	M12 - -3ST TC1	
M16	3	22	18.5	18.5	18.85	13	2.4	M16 - -3ST TC1	
M20	4	27	23	23	23.4	16	3.9	M20 - -4ST TC1	
M2.5	1.5	5.5	4.5	4.5	4.7	3	1.4	M2.5 -1.5ST TC1	Intermediate Spigot Ex-Stock
M3	1.5	5.5	4.5	4.5	4.7	3	1.4	M3 - 1.5ST TC1	
M4	1.5	7	5.5	5.5	5.7	3.2	1.4	M4 - 1.5ST TC1	
M5	1.5	8	6.5	6.5	6.75	4	1.4	M5 - 1.5ST TC1	
M6	1.5	10	8	8	8.3	5	1.4	M6 - 1.5ST TC1	
M2.5	2	5.5	4.5	4.5	4.7	3	1.8	M2.5 - -2ST TC1	Long Spigot Ex-Stock
M3	2	5.5	4.5	4.5	4.7	3	1.8	M3 - -2ST TC1	
M4	2	7	5.5	5.5	5.7	4.5	1.8	M4 - -2ST TC1	
M5	2	8	6.5	6.5	6.75	5	1.8	M5 - -2ST TC1	
M6	2	10	8	8	8.3	5	1.8	M6 - -2ST TC1	

Contact TR European Distribution:

Tel: 00 44 1825 747306 • Fax: 00 44 870 458 7912 • E: sales@trdistributors.eu
www.trfastenings.com