

Support Post Series

TRDSLP1/TRDSLP2/TRDSLP3



Dual Locking Support Post (Cross)



Support Post Series

Type

Material

Colour

Unit

Standard Pack

Dual Locking Support Post

Nylon 6/6 V2 / TMS 001

Nylon 6/6 V0 / TMS 019

Natural

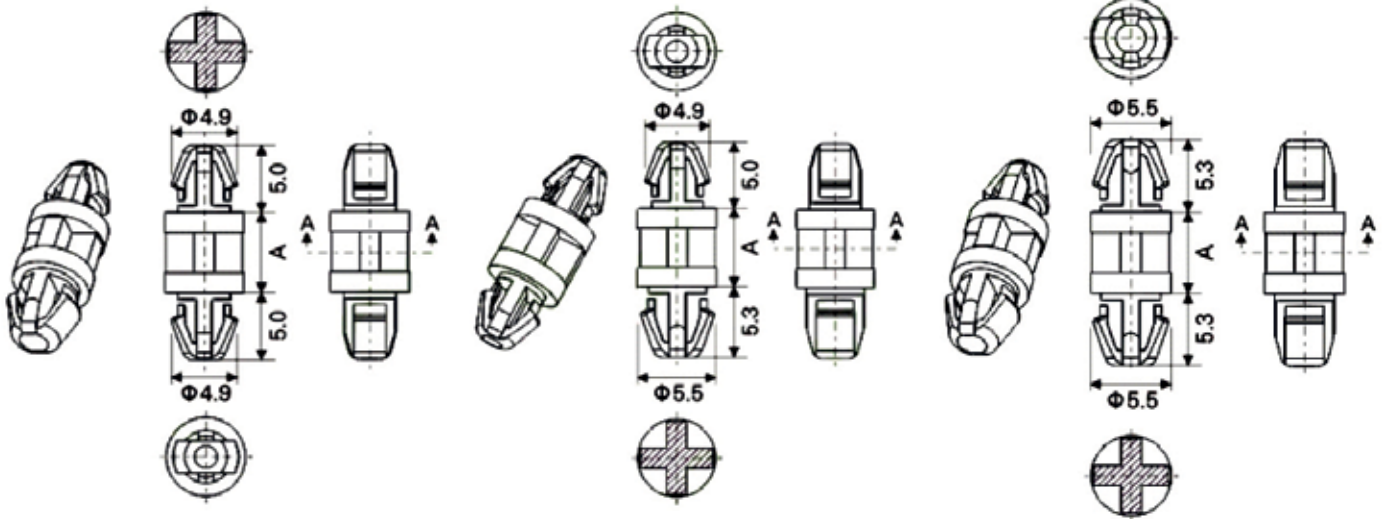
mm

1,000 per bag

Part number example -

Nylon 6/6 V2 = TRDLSLP1-18M-01

Nylon 6/6 V0 = TRDLSLP1-18M-19



1

2

3

Part Number	"A" ± 0.4
TRDLSLP1 - 3M - 01	3.0
TRDLSLP1 - 4M - 01	4.0
TRDLSLP1 - 6M - 01	6.0
TRDLSLP1 - 8M - 01	8.0
TRDLSLP1 - 10M - 01	10.0
TRDLSLP1 - 12M - 01	12.0
TRDLSLP1 - 14M - 01	14.0
TRDLSLP1 - 16M - 01	16.0
TRDLSLP1 - 18M - 01	18.0
Type	1
Top Hole	ø 4.0 ± 0.08 mm
Top Panel Thickness	1.6 mm
Bottom Hole	4.0 mm

Part Number	"A" ± 0.4
TRDLSLP2 - 3M - 01	3.0
TRDLSLP2 - 4M - 01	4.0
TRDLSLP2 - 6M - 01	6.0
TRDLSLP2 - 8M - 01	8.0
TRDLSLP2 - 10M - 01	10.0
TRDLSLP2 - 12M - 01	12.0
TRDLSLP2 - 14M - 01	14.0
TRDLSLP2 - 16M - 01	16.0
TRDLSLP2 - 18M - 01	18.0
Type	2
Top Hole	ø 4.8 ± 0.08 mm
Top Panel Thickness	1.6 mm
Bottom Hole	4.8 mm

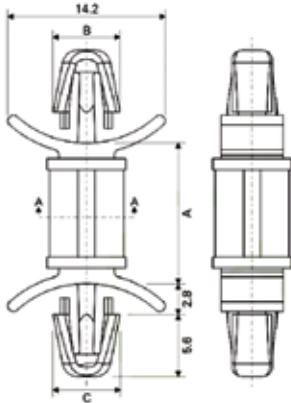
Part Number	"A" ± 0.4
TRDLSLP3 - 3M - 01	3.0
TRDLSLP3 - 4M - 01	4.0
TRDLSLP3 - 6M - 01	6.0
TRDLSLP3 - 8M - 01	8.0
TRDLSLP3 - 10M - 01	10.0
TRDLSLP3 - 12M - 01	12.0
TRDLSLP3 - 14M - 01	14.0
TRDLSLP3 - 16M - 01	16.0
TRDLSLP3 - 18M - 01	18.0
Type	3
Top Hole	ø 4.0 ± 0.08 mm
Top Panel Thickness	1.6 mm
Bottom Hole	4.8 mm

Support Post Series

TRDLCBS/TRDLCBS2/TRDLCBS3/TRDLCBSM



Dual Locking Support Post (Cross)

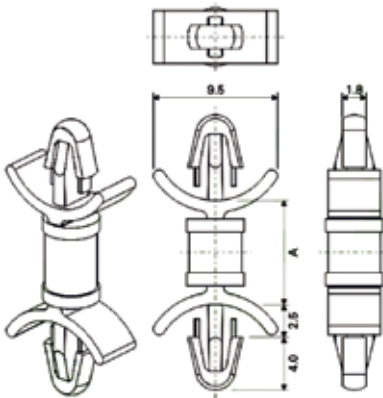


Support Post Series
 Type Dual Locking Support Post
 Material Nylon 6/6 V2 / TMS 001
 Nylon 6/6 V0 / TMS 019
 Colour Natural
 Unit mm
 Standard Pack 1,000 per bag

Part number example -
 Nylon 6/6 V2 = TRDLCBS-14-01
 Nylon 6/6 V0 = TRDLCBS-14-19

Part Number	"A" ± 0.4	Part Number	"A" ± 0.4	Part Number	"A" ± 0.4
TRDLCBS - 3 - 01	4.8	TRDLCBS2 - 3 - 01	4.8	TRDLCBS3 - 3 - 01	4.8
TRDLCBS - 4 - 01	6.4	TRDLCBS2 - 4 - 01	6.4	TRDLCBS3 - 4 - 01	6.4
TRDLCBS - 6 - 01	9.5	TRDLCBS2 - 6 - 01	9.5	TRDLCBS3 - 6 - 01	9.5
TRDLCBS - 8 - 01	12.7	TRDLCBS2 - 8 - 01	12.7	TRDLCBS3 - 8 - 01	12.7
TRDLCBS - 10 - 01	15.9	TRDLCBS2 - 10 - 01	15.9	TRDLCBS3 - 10 - 01	15.9
TRDLCBS - 12 - 01	19.1	TRDLCBS2 - 12 - 01	19.1	TRDLCBS3 - 12 - 01	19.1
TRDLCBS - 14 - 01	22.2	TRDLCBS2 - 14 - 01	22.2	TRDLCBS3 - 14 - 01	22.2
Type	1	Type	2	Type	3
Top Hole	∅ 4.0 ± 0.08 mm	Top Hole	∅ 4.8 ± 0.08 mm	Top Hole	∅ 4.8 ± 0.08 mm
Bottom Hole	4.0 mm	Bottom Hole	4.8 mm	Bottom Hole	4.0 mm

Dual Locking Support Post (Cross)



Support Post Series
 Type Dual Locking Support Post
 Material Nylon 6/6 V2 / TMS 001
 Nylon 6/6 V0 / TMS 019
 Colour Natural
 Unit mm
 Standard Pack 1,000 per bag

Part number example -
 Nylon 6/6 V2 = TRDLCBSM-10-01
 Nylon 6/6 V0 = TRDLCBSM-10-19

Part Number	"A" ± 0.4
TRDLCBSM - 3 - 01	4.8
TRDLCBSM - 4 - 01	6.4
TRDLCBSM - 5 - 01	7.9
TRDLCBSM - 6 - 01	9.5
TRDLCBSM - 7 - 01	11.1
TRDLCBSM - 8 - 01	12.7
TRDLCBSM - 9 - 01	14.3
TRDLCBSM - 10 - 01	15.9

Top & Bottom Hole 3.2 ± 0.08 mm Panel Thickness 0.8 ~ 2.0 mm