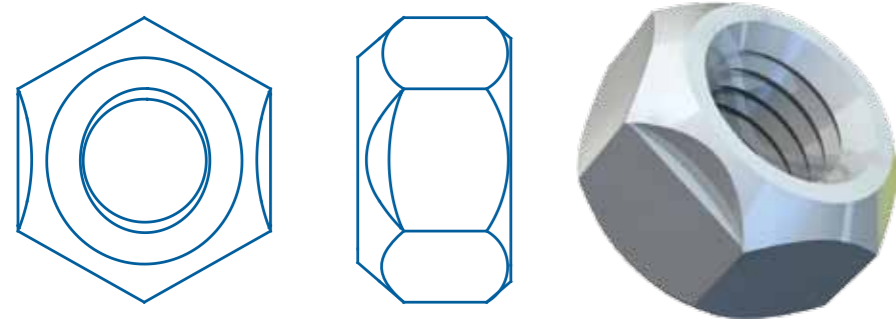


Binx® Tri-5 & Tri-6 All Metal Self-Locking Nuts



Tri-5 - Grade 8 Zinc CR3 Plated Steel



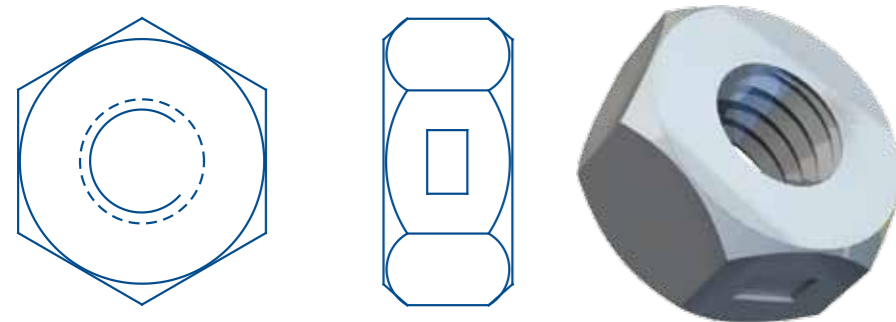
Tri-5 - Metric Dimensions

Size mm	M6	M8	M10	M12	M16	M20	M24
Pitch	1	1.25	1.5	1.75	2	2.5	3
Height Max mm	6	8	10	12	16	20	24
A/F Max mm	10	13	17	19	24	30	36

Tri-5 - Performance Data

Size mm	M5	M6	M8	M10	M12	M16	M20	M24
Pitch	0.8	1	1.25	1.5	1.75	2	2.5	3
1st Install (Nm)	0.63	2.8	2.6	6.8	7.3	14.6	23.1	25.0
1st withdrawal (Nm)	0.48	1.7	1.5	9.1	4.9	13.5	15.5	22.0
5th withdrawal (Nm)	0.2	0.6	0.5	4.8	4.3	10.8	6.9	19.1

Tri-6 - Grade 8 Zinc CR3 Plated Steel



Tri-6 - Metric Dimensions

Size mm	M5	M6	M8	M10	M12	M16
Pitch	0.8	1	1.25	1.5	1.75	2
Height Max mm	4	5	6.5	8	10	13
A/F Max mm	8	10	13	17	19	24

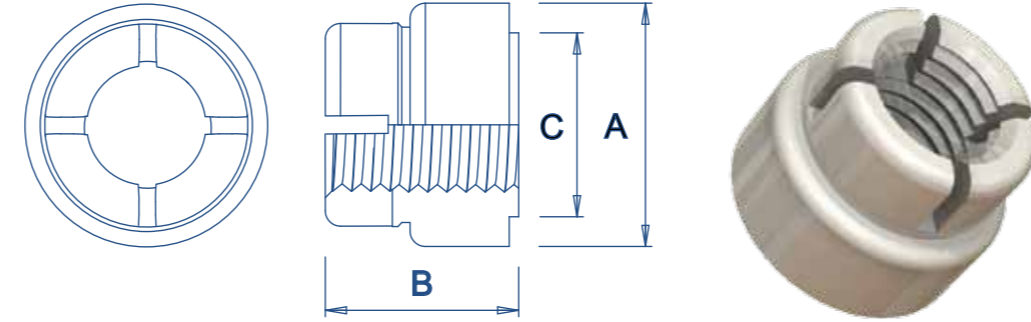
All data is correct to the best of our knowledge, however TR cannot be held responsible for any errors or omissions. For full technical data visit www.trfastenings.com

Contact us:
sales@trformac.com.sg
www.trformac.com.sg

Wun-loc® Weld & Rivet Version All Metal Self-Locking Nut



Weld Version - Steel/Self Finish | A2 & A4 Stainless Steel



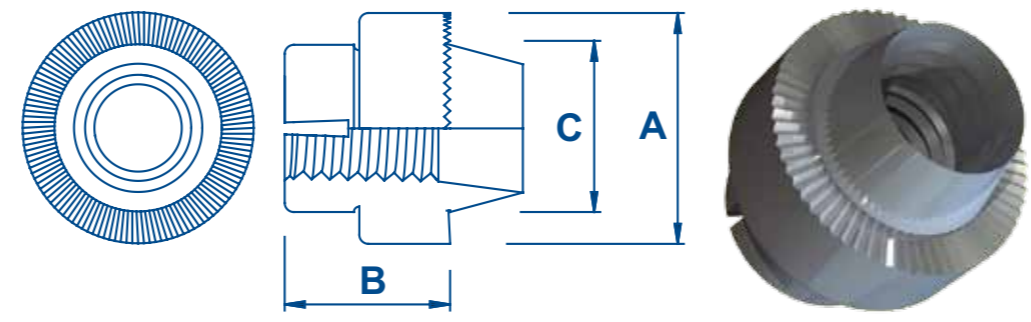
Weld Version - Metric Dimensions

Length	M4	M5	M6	M8	M10	M12
Diameter Of Spigot C	6.4	7.9	9.5	12.7	15.25	19.2
Diameter Of Body A	10.0	11.0	12.7	15.9	19.05	25.4
Body Height B	6.0	6.8	9.6	11.6	12.7	16.3
Recommended Hole Size	6.5	8.0	9.6	12.8	-	19.3

Spigot length - 2.05mm on all sizes

Also available in imperial/unified, please enquire for availability

Rivet Version - Zinc CR3 Plated Steel | A2 & A4 Stainless Steel - Made to order



Rivet Version - Metric Dimensions

Length	M3	M4	M5	M6	M8	M10	M12
Diameter Of Spigot C	5.5	6.4	7.9	9.2	12.3	15.0	18.9
Diameter Of Body A	7.9	9.5	11.1	12.7	15.9	19.0	25.4
Body Height B	4.7	6.0	6.8	9.1	10.9	12.6	16.3
Recommended Hole Size	5.60	6.50	8.0	9.3	12.7	15.1	19.1
Max Panel Thickness	1.2	1.2	1.2	1.6	2.0	2.5	2.7

Also available in imperial/unified, please enquire for availability

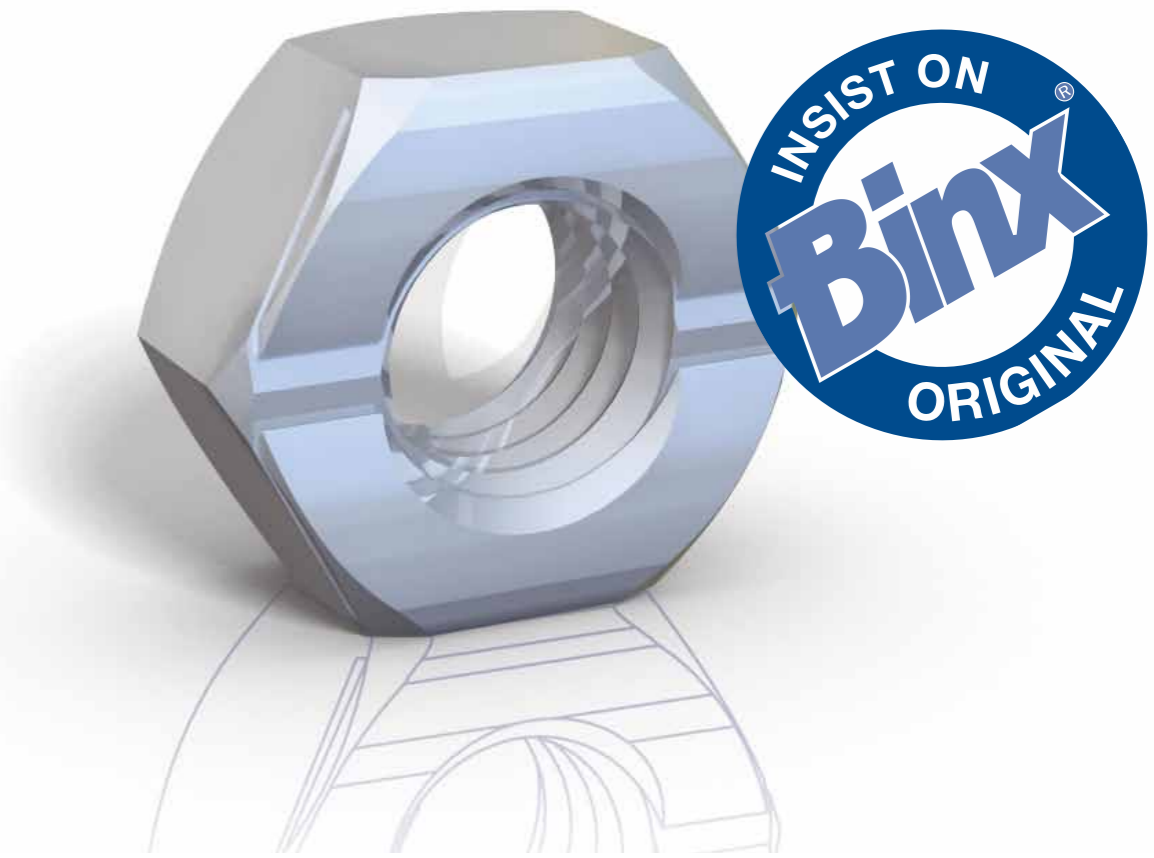
All data is correct to the best of our knowledge, however TR cannot be held responsible for any errors or omissions. For full technical data visit www.trfastenings.com

Contact us:
sales@trformac.com.sg
www.trformac.com.sg

TR FORMAC Binx® Locking Nuts



THE ORIGINAL BINX® All Metal Self Locking Nut



TR Formac is the sole manufacturer of Binx® Nuts globally

High re-usability - torque resistance maintained after repeated removal • Low profile as a standard feature • Wide material availability • Massive range ex-stock • Fast & friendly service • ISO9001 accredited • Performance data available

www.trformac.com.sg

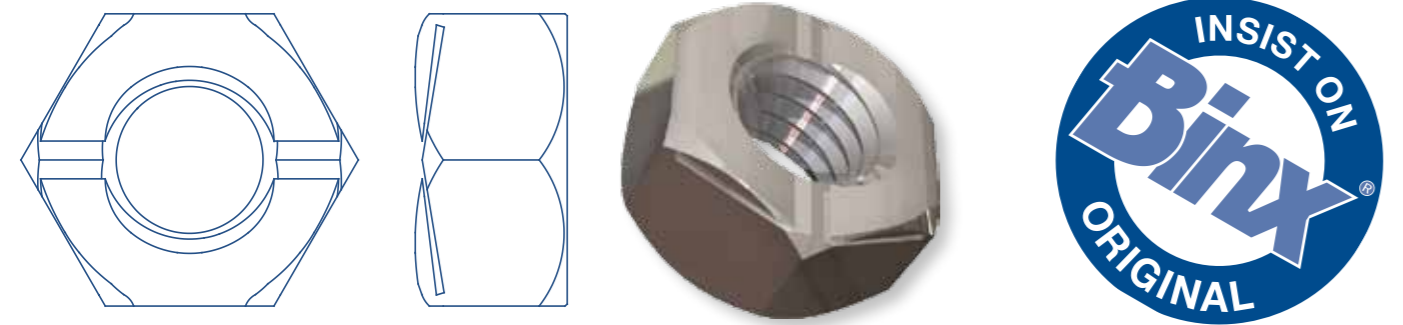
Edition 4

BINX®

All Metal Self-Locking Nut - Metric



Zinc CR3 Plated Steel | A2 & A4 Stainless Steel | Brass



Dimensions														
Thread Size	M3 x 0.50	M4 x 0.70	M5 x 0.80	M6 x 1.00	M8 x 1.25	M10 x 1.50	M12 x 1.75	M14 x 2.00	M16 x 2.00	M18 x 2.50	M20 x 2.50	M22 x 2.50	M24 x 3.00	M30 x 3.50
A/F	5.5	7	8	10	13	17	19	22	24	27	30	32	36	46
Height	3.2	3.2	4.05	6	6.35	7.85	9.9	10.9	12.95	15	16	17.8	18.8	23.9

Performance Data: Coarse Threads Grade 5														
Thread	M3 x 0.50	M4 x 0.70	M5 x 0.80	M6 x 1.00	M8 x 1.25	M10 x 1.50	M12 x 1.75	M14 x 2.00	M16 x 2.00	M18 x 2.50	M20 x 2.50	M22 x 2.50	M24 x 3.00	M30 x 3.50
Proof Load (N)	2,600	4,550	8,250	11,700	21,600	34,200	51,400	70,200	95,800	121,000	154,400	190,900	222,400	353,400
Prevailing Torque (Nm)	First Assy (max)	0.43	0.9	1.6	3.0	6.0	10.5	15.5	24.0	32.0	42.0	54.0	68.0	108.0
	First Removal (min)	0.12	0.18	0.29	0.45	0.85	1.5	2.3	3.3	4.5	6	7.5	9.5	11.5
	Fifth Removal (min)	0.08	0.12	0.2	0.3	0.6	1	1.6	2.3	3	4.2	5.3	6.5	8
Tightening Torque (Nm)	Min	0.7	1.6	3.2	5.4	13.3	26.4	46	73	115	158	224	303	456
	Max	1.1	2.4	4.8	8.1	20	39.6	69	110	173	238	336	454	684

Performance Data: Stainless Steel									
Thread	M4 x 0.70	M5 x 0.80	M6 x 1.00	M8 x 1.25	M10 x 1.50	M12 x 1.75	M14 x 2.00	M16 x 2.00	
Prevailing Torque (Nm)	First Assy	0.25	0.29	TBA	1.24	2.36	4.69	5.27	9.95
	First Removal (min)	0.2	0.2	TBA	1.23	1.91	3.73	4.18	7.05
	Fifth Removal (min)	0.16	0.2	TBA	0.98	1.7	2.56	2.78	6.21
Tightening Torque (Nm)	4.58	10.53	15.90	39.70	120.00	160.00	200.00	240.00	

All data is correct to the best of our knowledge, however TR cannot be held responsible for any errors or omissions. For full technical data visit www.trfastenings.com

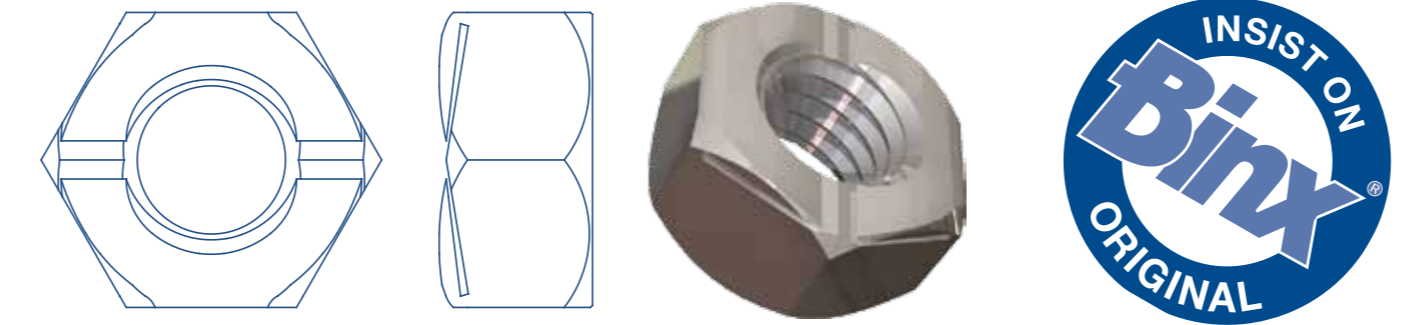
Contact us:
sales@trformac.com.sg
www.trformac.com.sg

BINX®

All Metal Self-Locking Nut - Unified



Zinc CR3 Plated Steel | A2 & A4 Stainless Steel



Dimensions				
Thread Size	5/16"	3/8"	1/2"	3/4"
A/F	0.5	0.563	0.75	1.125
Height	0.27	0.33	0.44	0.66

Performance Data: Grade 5					
Thread UNF	1/4 - 20	5/16 - 18	3/8 - 16	1/2 - 13	3/4 - 10
Proof Load (Lbs)	3,800	6,300	9,300	17,000	40,100
Prevailing Torque (Lb.in)	First Assy (max)	40	80	110	204
	First Removal (min)	5.0	8.0	12.0	22.0
	Third Removal (min)	1.5	2.5	4	7.5
Tightening Torque (Lb.ft)	Min	7.0	12.9	20.0	52.0
	Max	10.0	17.6	28.0	70.0

Performance Data: Grade 5					
Thread UNF	1/4 - 28	5/16 - 12	7/16 - 20	1/2 - 20	5/8 - 18
Proof Load (Lbs)	4,350	6,950	14,200	19,200	30,700
Prevailing Torque (Lb.in)	First Assy (max)	40	80	135	204
	First Removal (min)	5.0	8.0	17.0	22.0
	Third Removal (min)	1.5	2.5	5	7.5
Tightening Torque (Lb.ft)	Min	7.6	14.1	34.0	53.0
	Max	10.6	18.8	48.0	74.0

All data is correct to the best of our knowledge, however TR cannot be held responsible for any errors or omissions. For full technical data visit www.trfastenings.com

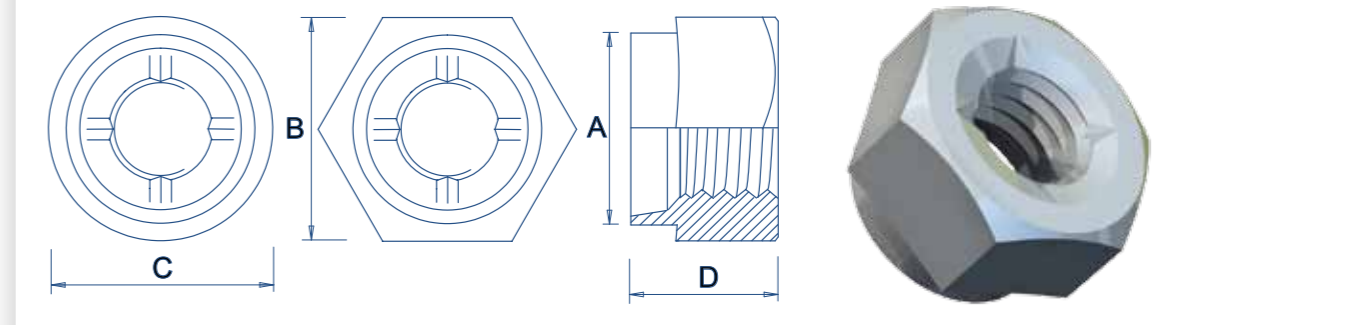
Contact us:
sales@trformac.com.sg
www.trformac.com.sg

Hank-loc®

All Metal Self-Locking Nuts



Zinc CR3 Plated Steel | A2 & A4 Stainless Steel



Metric Dimensions									
Thread Form Range	M2.5	M3	M3.5	M4	M5	M6	M8	M10	M12
Diameter Of Spigot A	5.54	5.54	6.73	6.73	7.92	9.52	12.70	15.87	19.05
Width Across Flats (Hex) B	7.92	7.92	7.92	7.92	9.52	11.10	14.27	19.05	22.22
Diameter Of Body (Rnd) C	7.92	7.92	9.52	9.52	11.10	12.70	15.87	19.05	25.40
Depth Of Body D	3.17	3.17	3.17	3.17	3.81	5.08	6.35	7.62	10.16
Recommended Hole Sizes	5.54	5.54	6.73	6.73	7.92	9.52	12.70	15.87	19.05

Imperial Dimensions BA / BSF / BSW									
Thread Form Range BSW/F	-	1/8"	-	5/32"	3/16"	1/4"	5/16"	3/8"	1/2"
Thread Form Range BA	8	6.5	4	3	2	0	-	-	-
Thread Form Range UNC	2	4	6	8	10	1/4"	5/16"	3/8"	1/2"
Thread Form Range UNF	2	4	6	8	10	1/4"	5/16"	3/8"	1/2"
Diameter Of Spigot A	.218	.218	.265	.265	.312	.375	.500	.625	.750
Width Across Flats (Hex) B	.312	.312	.312	.312	.375	.437	.562	.750	.875
Diameter Of Body (Rnd) C	.312	.312	.375	.375	.437	.500	.625	.750	1.000
Depth Of Body D	.125	.125	.125	.125	.150	.200	.250	.300	.400
Recommended Hole Sizes	.218	.218	.265	.265	.312	.375	.500	.625	.750

All data is correct to the best of our knowledge, however TR cannot be held responsible for any errors or omissions. For full technical data visit www.trfastenings.com

Contact us:
sales@trformac.com.sg
www.trformac.com.sg